

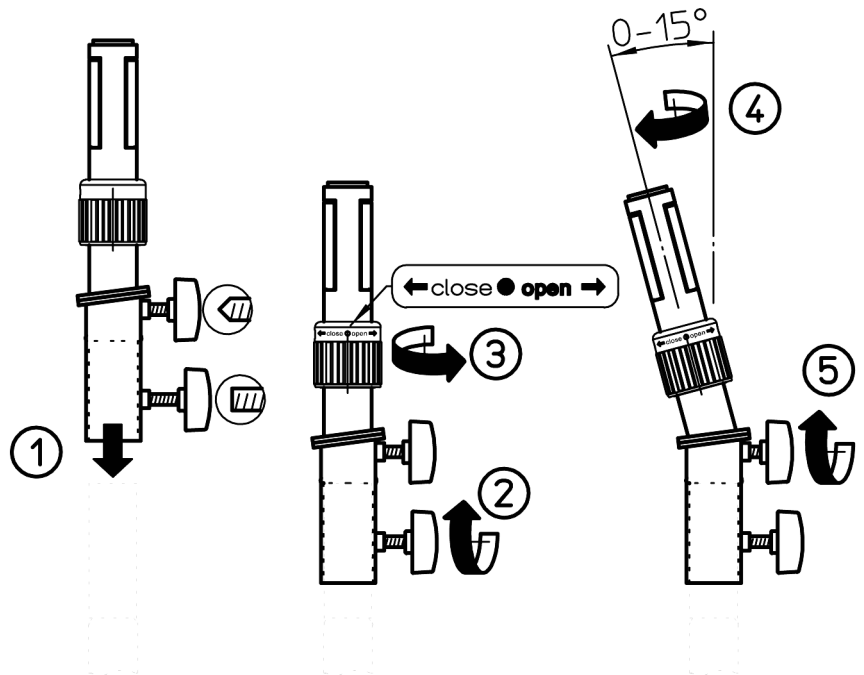
19674 SPEAKER TILT CONNECTOR Ring Lock«

- with a patented expanding mandrel system provides a tight and firm fit for the speaker
- load up to 25 kg
- speakers can be adjusted seamlessly to from 0° to 15°
- easy to use
- attachable to the speaker stand with a tube -ø 35 mm
- technical information: expanded mandrel system ø 35-37 mm; height mandrel/total: 100/295 mm, weight: 0.9 kg

Thank you very much for selecting this product. These instructions provide the information on all the important assembly and handling steps required for assembly. We recommend that you store a copy of these instructions for future use.

SAFETY NOTICES

- Do not exceed the maximum load of 25 kg
- Check that the ring lock and clamping screws are tight in regular intervals.
- It is recommended that two people assist in making the adjustments during assembly. Diligent and careful handling is required.
- Utilize the suitable stand (Tube-ø 35 mm, Load at least 26 kg) and assemble properly (level surface etc.)
- Ensure functional speaker materials, in particular the mounting adapter must be the right size and quality.



ASSEMBLY INSTRUCTIONS

1. Place the speaker tilt connector and speakers on the stand.

(1) Place the sleeve of the speaker tilt connector over the tube of the speaker stand, ensuring a tight fit.

(2) Tighten the lower clamping screw.

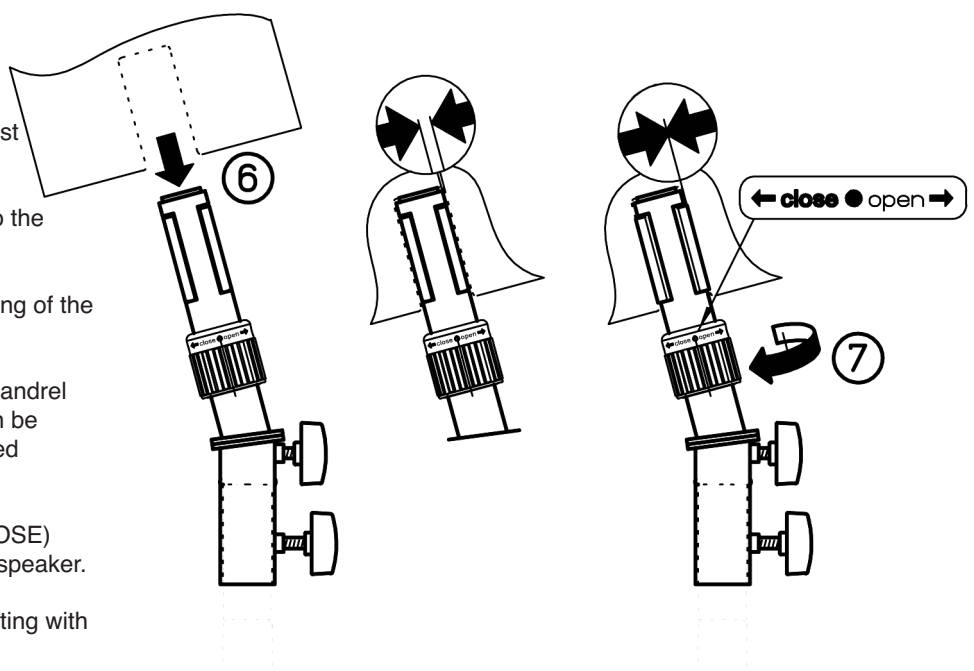
(3) Turn the ring lock towards the right (direction OPEN) to adjust to the smallest expanding mandrel system diameter.

(4) Adjust the expanding mandrel system to the desired degree.

(5) Secure this position through the tightening of the upper clamping screw.

(6) Place the speakers on the expanding mandrel system. -Tip: the best stand stability can be attained, if the tilted speaker is positioned exactly above one leg of the stand.

(7) Now turn the lock ring left (direction CLOSE) until the splints ensure a tight fit for the speaker.



For disassembly follow the instructions starting with the last step working backwards.

19674 SPEAKER TILT CONNECTOR » Ring Lock«

USER INFORMATION/FUNCTIONS

2. Adjustment of the speaker position

- First secure the speaker on the tilt connector: if required tighten the ring lock (CLOSE) (8).

2.a. Tilt of the speaker

- Slightly loosen the upper clamping screw (9) - do not unscrew -.
 - Adjust speaker until to the desired tilt angle (= 0-15°) has been attained.
 - Re-tighten the upper clamping screw (9).
- This adjustment of the front leaning tilt connector also results in a sideways tilt of the speaker.
This can be corrected as follows:
- Loosen the expanding mandrel system (turn the ring lock in the OPEN direction) (10) and adjust the speakers in an upright position.
 - Re-tighten the ring lock (direction CLOSE) (8).

2.b. Direction of the speaker

- Slightly loosen the upper clamping screw (11) - do not unscrew -.
- Adjust the speaker to the desired position.
- Re-tighten the upper clamping screw (11).

3. Dimensions

- refer to the illustration.

INSPECTION, MAINTENANCE, CLEANING

- Care and maintenance work is to be performed when the system is not under strain.
- Check the functioning of the tilt adjustment and the clamping screws as well as the ring lock regularly.
- For cleaning purposes utilize a slightly damp cloth and a non-abrasive cleaning solvent.

ERROR IDENTIFICATION (E) and CORRECTION (C)

- E: Speaker tilt connector does not fit on the stand:
C: Check if the stand tube has the required: \varnothing 35 mm.
- E: Speaker teeters on the expanding mandrel system:
C: Re-tighten the ring lock (direction CLOSE) until the speaker is stable.
C: Speaker mounting adapter may not exceed \varnothing 37 mm.
- E: Speaker is difficult to adjust:
C: Lift the speaker up a bit during the adjustment.
C: Loosen the upper clamping screws a little.

TECHNICAL INFORMATION / SPECIFICATIONS

Material	tubes and washer - steel, powder coated, color black screws, nuts - steel, galvanized, nickel plated ring lock - aluminum mandrel elements, handles - PA
Load	max. 25 kg
Dimensions	H: 295 mm, expanding mandrel system: \varnothing 35-37 x 102 mm
Package	H x B x T: 300 x 90 x 60 mm
Weight	0.9 kg / 1.2 kg with package
Accessories (optional)	adapter sleeve 21326: for speaker mounting adapter with 38 mm internal diameter (= US-Variant)

