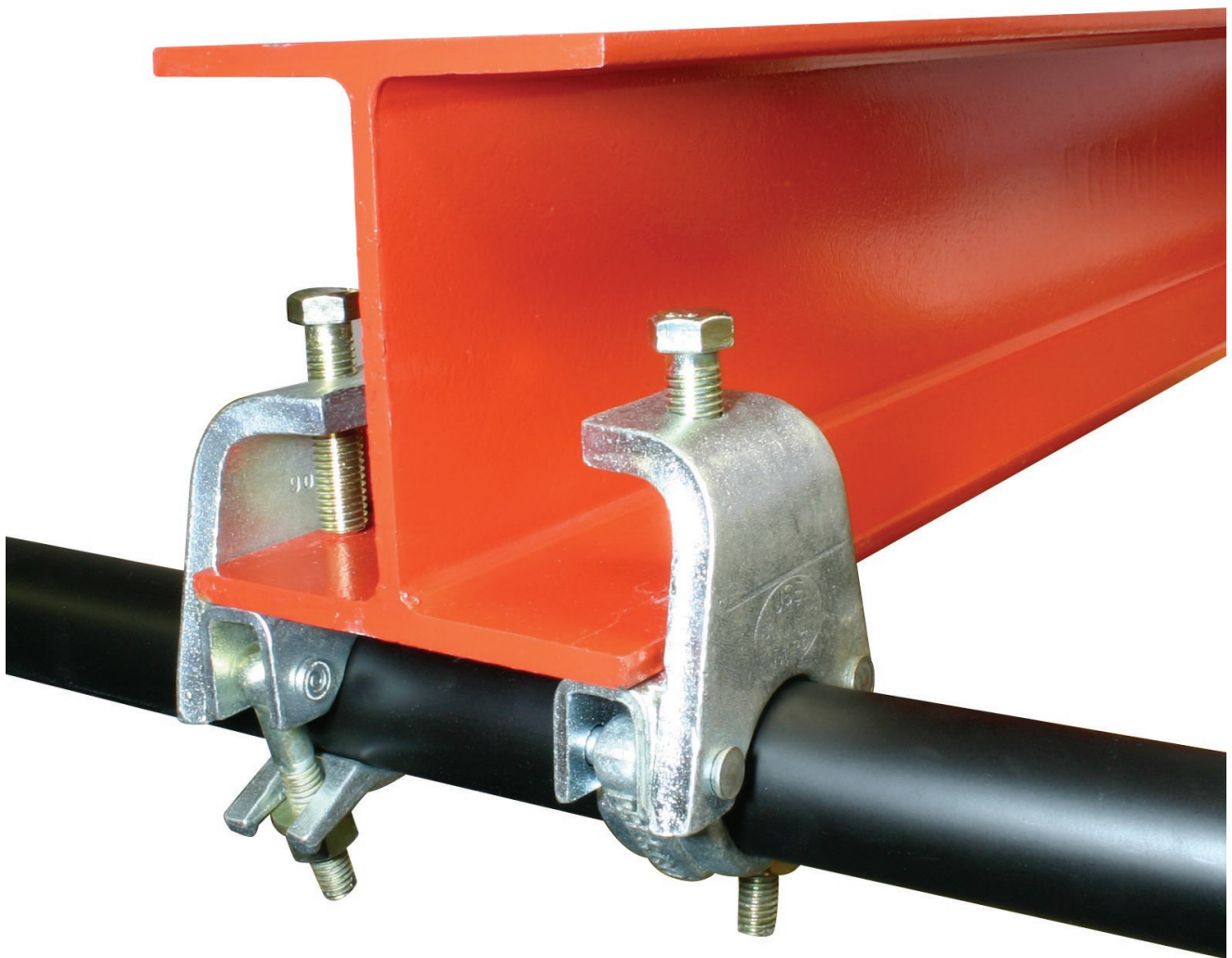




User Manual

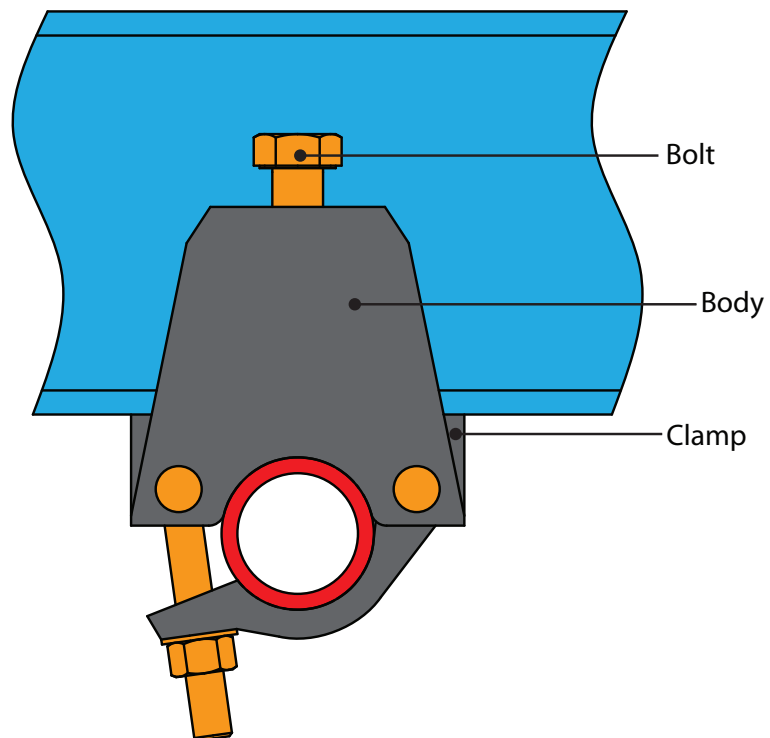
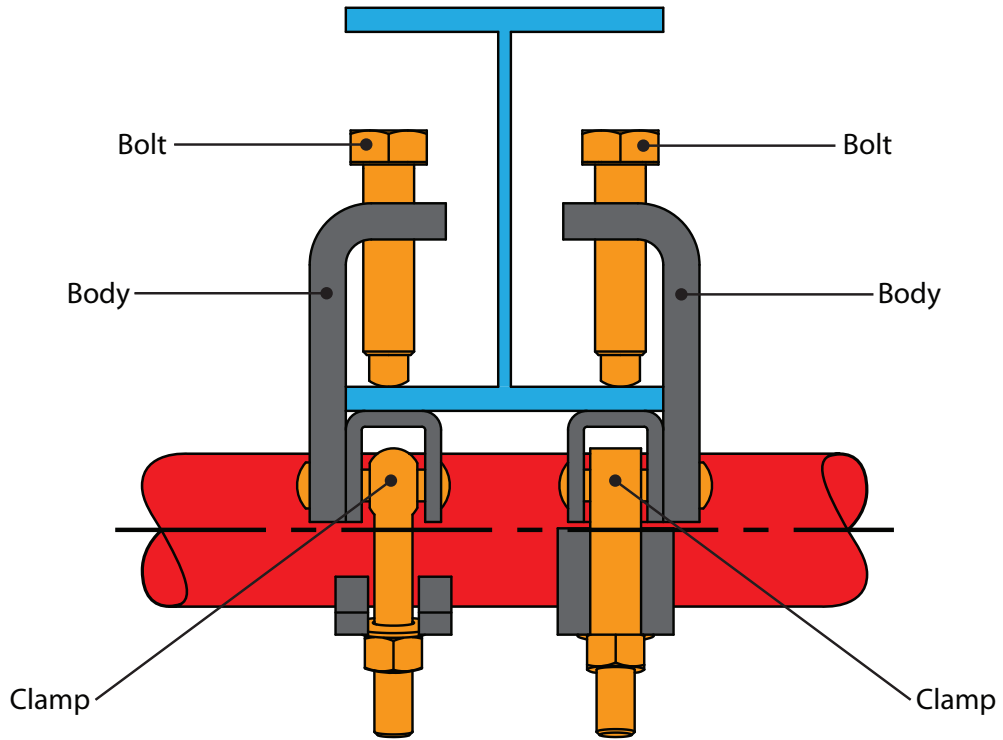
www.doughty-engineering.co.uk

T29497 Gravlock Coupler



Version 08/11

www.doughty-engineering.co.uk



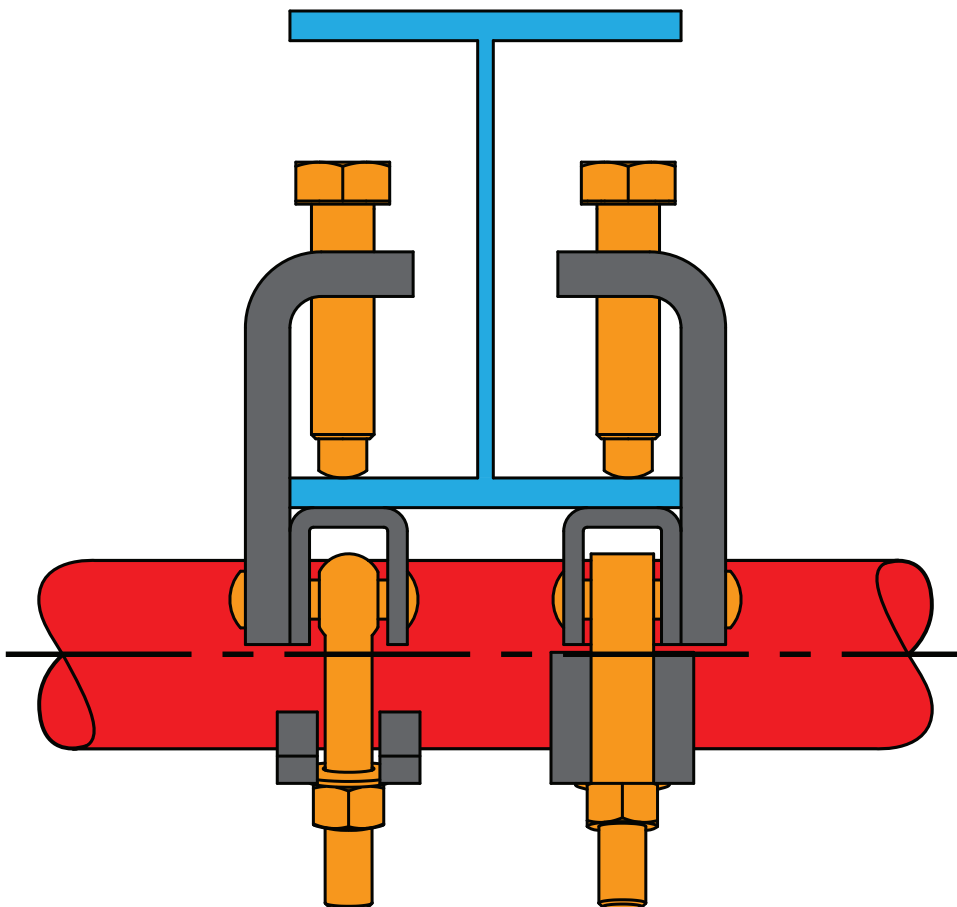
These recommendations are not intended as a design guide for scaffolding structures for which reference should be made to BS 5973 and BS 5975 - nor do they consider the effect of the connected structural sections for which reference should be made to BS 5950 and Eurocode 3.

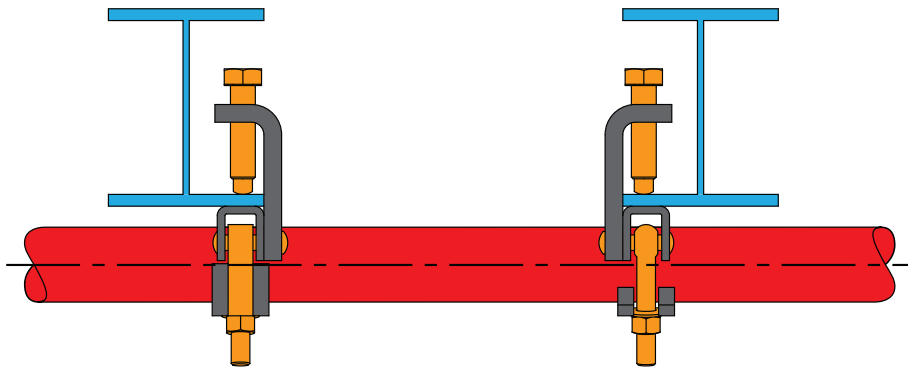
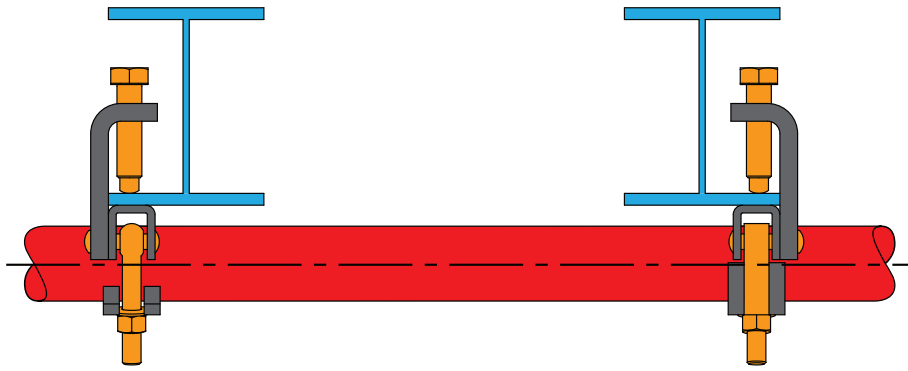
1. Gravlock Couplers are designed to connect BS1139 scaffold tube to all types of structural sections (other than hollow sections) having a maximum flange of thickness 45mm.
2. Gravlock Couplers must always be used in pairs and additionally must be clamped on opposing sides of the structural sections
3. The following maximum safe working load is calculated from a series of tests carried out both internally and by independent external testing organisations. The safety factors employed are in excess of those recommended by BS 5973: 1993, clause 39:8:2 (i.e. 2 to 1).
4. Safe Working Load in all directions: 600Kg

Quality Standards

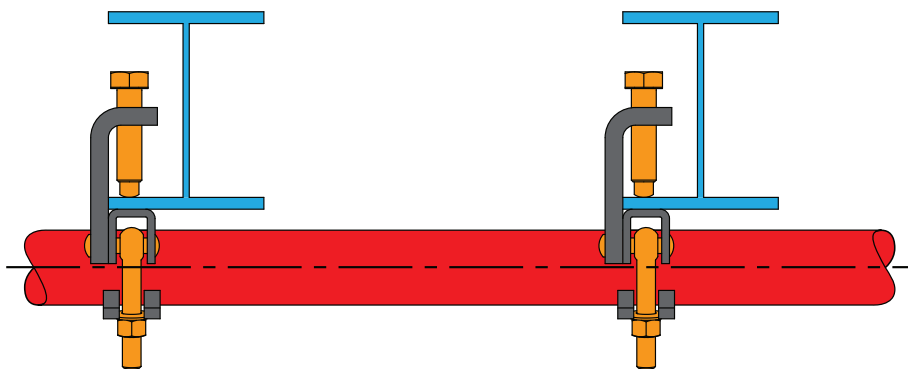
- EN74 Class A & B
- BS1139 Part 2
- ISO9002 / BS5750

Gravlock Couplers must always be used in pairs

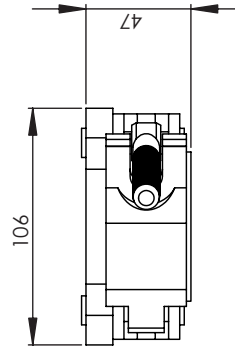
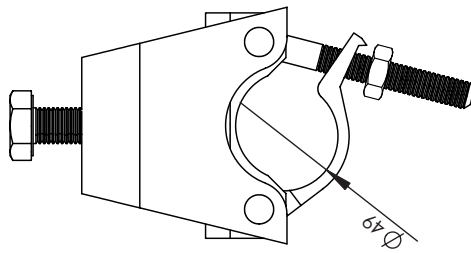
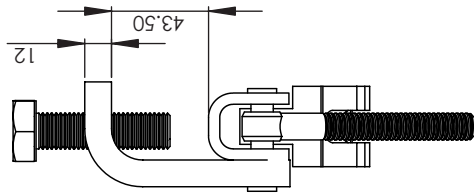
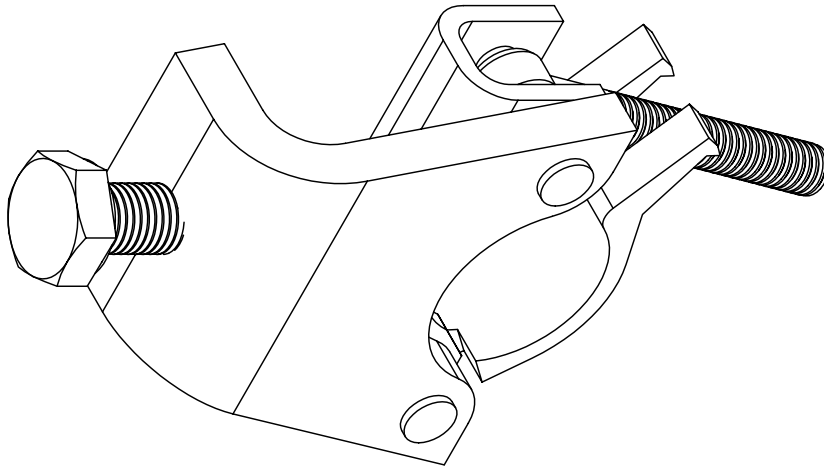




Girder couplers must not be clamped on the same side of the structural sections.



A3 ORIGINAL



ALL DIMENSIONS IN MM

ISS	AMENDMENTS	DATE	SIG
		00/00/00	AC
TITLE			
Gravlock Coupler			
DRAWN	AJC	DATE 29/04/2003	DWG NO
CHKD		SCALE 1:2	T29497



DOUGHTY ENGINEERING LIMITED

FINISH: SHERADISED

MATERIAL: MILD STEEL

WELD: ±1.0

THIRD ANGLE PROJECTION



Doughty Engineering Ltd

Crow Arch Lane

Ringwood, Hampshire, BH24 1NZ

Tel: +44 (0) 1425 478961 Fax: +44 (0) 1425 474481

email: sales@doughty-engineering.co.uk

Web: www.doughty-engineering.co.uk

Note: Whilst every effort has been made to ensure that the information contained within this manual is correct, Doughty Engineering does not accept any liability for errors or omissions. Specifications and technical data are intended for guidance purposes only and may vary.