

MSP Series

Powered Monitor Speaker

MSP7 STUDIO



MSP7 STUDIO Rear Panel



MSP5 STUDIO



MSP5 STUDIO Rear Panel



SW10 STUDIO



SW10 STUDIO Rear Panel



MSP3



MSP3 Rear Panel



Refined Monitoring Precision.

MSP7 STUDIO

- 2-way bass-reflex bi-amplified near field studio monitor
- 6.5" cone woofer and 1" titanium dome high-frequency unit delivers 45Hz- 40kHz frequency response.
- 130 watts (LF 80W + HF 50W) dynamic bi-amplified power
- XLR balanced input
- Advanced magnetic structure design
- One-piece molded enclosure with rounded baffle
- 31 positions level control facilitates precise overall system level matching
- Low cut switch and trim control (High/Low)
- Full magnetic shielding

OPTIONS (MSP7 STUDIO)

BWS50-190/260 Wall Bracket

MSP5 STUDIO

- 2-way bas-reflex bi-amplified near field studio monitor
- 5" cone woofer and 1" titanium dome high-frequency unit delivers 50Hz- 40kHz frequency response.
- 67 watts (LF 40W + HF 27W) dynamic bi-amplified power
- XLR balanced input and 1/4" unbalanced input
- Advanced magnetic structure design
- One-piece molded enclosure with rounded baffle
- 31 positions level control facilitates precise overall system level matching
- TRIM control(High/Low)
- Full magnetic shielding

OPTIONS (MSP5 STUDIO)

BCS20-150/210 Ceiling Bracket

SW10 STUDIO

- 10" Bass-reflex powered subwoofer delivers solid 25Hz- 150Hz frequency response.
- 180 watts dynamic power
- XLR balanced inputs (L/R/SUBWOOFER)
- XLR balanced outputs(L/R/SUBWOOFER) parallel connection with input signals
- Level control facilitates precise system level controls.
- LPF controls (40-120 Hz, 80Hz at center click)
- Phase switch simplifies phase alignment.
- Full magnetic shielding

MSP3

- A compact monitoring speaker with high sound quality
- 10 watts dynamic power
- 3 inputs: mic x 1 (phone), line x 2 (phone & RCA)
- Tone control (high/low).
- Line output for expanding your speaker system
- Options for convenient stand or wall mounting (sold separately).

OPTIONS (MSP3)

BCS20-150/210
Ceiling Bracket

BWS20-120/190
Wall Bracket

BAS10
Free-Angle Clamp

BMS-10A
Mic Stand Adaptor

SPECIFICATIONS

Model		MSP7 STUDIO	MSP5 STUDIO	SW10 STUDIO	MSP3	
GENERAL	Type	Bi-amp 2-way powered speaker	Bi-amp 2-way powered speaker	Powered subwoofer	2-way powered speaker	
	Crossover Frequency	2.5 kHz LF:30dB/oct, HF:30dB/oct	2.5 kHz LF:24dB/oct, HF:24dB/oct	-	4.0kHz	
	Overall Frequency Response	45Hz-40kHz (-10dB)	50Hz-40kHz (-10dB)	25Hz-150Hz (-10dB)	65Hz to 22kHz (-10dB)	
	Maximum Output Level	106dB, 1m on Axis	101dB, 1m on Axis	111dB, 1m on Axis	98dB, 1m on Axis	
	Dimensions (W x H x D)	218 x 330 x 235mm (8.6" x 13.0" x 9.3")	179 x 279 x 208mm (7.0" x 11.0" x 8.2")	328 x 459 x 476mm (12.9" x 18.1" x 18.7")	144 x 236 x 167mm (5.7" x 9.3" x 6.6")	
	Weight	12.2kg (26.9lbs)	7.9kg (17.4lbs)	26.5kg (58.4lbs)	4.4kg (9.7lbs)	
	Magnetic Shielding	Yes	Yes	Yes (None covered type)	Yes	
Speaker Section	Components	LF	6.5" cone	5" cone	10" cone	4" (10cm) cone
		HF	1.0" Titanium dome	1.0" Titanium dome	-	1/8" (2.2cm) dome
	Enclosure	Type	Bass-Reflex	Bass-Reflex	Bass-Reflex	Bass-Reflex
		Material	PP	PP	MDF	PP
Amplifier Section	Output Power*	LF	80W THD = 0.05%, RL = 4Ω	40W THD = 0.02%, RL = 4Ω	180W f = 100Hz, THD = 1%, RL = 8Ω	20W f = 1kHz, THD = 0.1%, RL = 4Ω
		HF	50W THD = 0.05%, RL = 6Ω	27 W THD = 0.02%, RL = 6Ω	-	-
	S/N, IHF-A filter	≥99dB, LEVEL = Max	≥94dB, LEVEL = Max	≥100dB, LEVEL = Max	-10dB/Line1: (RCA phone unbalanced)	
	Input Sensitivity	XLR 3-31	+4dBu, LEVEL = Center -6dBu, LEVEL = Max	+4dBu, LEVEL = Center -6dBu, LEVEL = Max	+4dBu, LEVEL = Center -6dBu, LEVEL = Max	+4dBu / Line2
		PHONE	-	10dBu, LEVEL = Cente -20dBu, LEVEL = Max	-	+4dBu / Line2
	Input Connectors, Impedance	XLR-3-31 (balanced), 10kΩ	XLR-3-31 (balanced), 10kΩ PHONE (unbalanced), 10kΩ	XLR-3-31 x 3 (balanced), 10kΩ	Line1: (RCA phone, unbalanced),10kΩ Line2: (XLR3-31, Phone, balanced, parallel),10kΩ	
	Output Connectors	-	-	XLR-3-32 x 3 (balanced), Parallel connection with input	-	
	Controls	Level Control	31 positions detent type VR (Min = ∞Attenuation)	31 positions detent type VR (Min = ∞Attenuation)	Center click VR (Min = ∞Attenuation)	Level control for Line1 & Line2
		LOW CUT Switch	FLAT/80Hz (12dB/oct)/100Hz (12dB/oct)	-	-	-
		HIGH TRIM	+1.5/0/-1.5dB at 15kHz	+1.5/0/-1.5dB at 15kHz	-	-3.0dB to +3.0dB at 10kHz
		LOW TRIM	+1.5/0/-1.5/-3dB at 45Hz	+1.5/0/-1.5/-3dB at 60Hz	-	-3.0dB to +3.0dB at 100Hz
		POWER Switch	On / Off	On / Off	On / Off	On / Off
		PHASE Switch	-	-	Normal / Reverse	-
		LPF control	-	-	40-120Hz, 80Hz at Center Click	-
		Indicators	LED	Power ON: Green LED Clipping: Red LED	Power ON: Green LED Clipping: Red LED	Power ON: Green LED Clipping: Red LED
	Power Consumption	100W	60W	160W	30W	

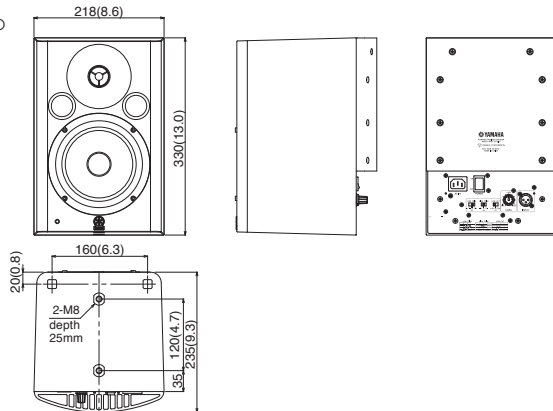
* These specifications apply to rated power supplies of 100, 120, 230 and 240 V.

* Specifications and appearance subject to change without notice.

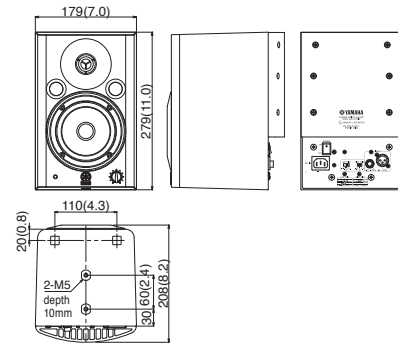
DIMENSIONS

unit : mm (inch)

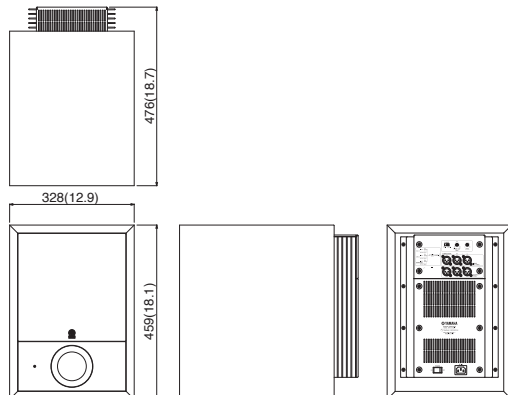
MSP7 STUDIO



MSP5 STUDIO



SW10 STUDIO



MSP3

