



MAGIS 300-500-600 W Quartz Halogen Fresnel Spotlight



Mod. 300



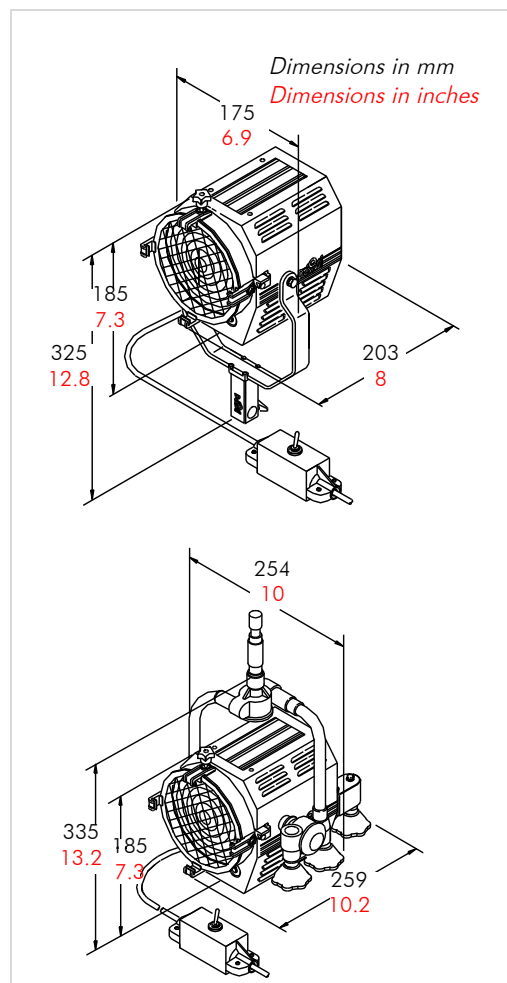
Mod. 301

FEATURES

- Compact, highly efficient Fresnel lens spotlight using tungsten-quartz-halogen filament lamps having GY 9,5 socket, L.C.L. of 46,5 mm. and max. 650 kW power .
- 120 mm. diameter high quality, shock resistant Borosilicate glass Fresnel lens on spring supports.
- Rugged and Lightweight STAINLESS STEEL housing with low glare black epoxy powder coating, with internal double walls and reinforces.
- High efficiency convection cooling.
- GY 9,5 bi-post socket for tungsten halogen lamps.
- Special bimetallic clad aluminum reflector for high degree of reflectivity and thermal resistance for long life.
- Brass Helix Screw on TEFLON socket driven focus mechanism which guides Teflon bushings supported lamp carriage along 2 stainless steel rails. This ensures smooth operation, and restricts bouncing or chattering of the lamp carriage during focusing, in any tilting position of the fixture, avoiding lamp failures during operation. The Teflon bushings also provide a wiping action, which cleans the stainless steel guide rails during focus. The focusing mechanism can be activated from the rear of the fixture and the whole spot to flood action is accomplished with 1 and half turn of the focusing knob.
- The unit is equipped with a hinged lens door with wire-guard for easy access to the lamp, it includes 4 accessory holding brackets. One of the 4 brackets has a locking knob and is spring loaded, it can be locked to either safely hold barndoor, color frame and scrims or to be rotated 90° and locked in an open position for fast accessories changes.
- The accessories are secure regardless of the orientation of the fixture. Accessories have been designed for one hand installation.
- Available with either positive lock manual yokes for comfort and ease of handling, or pole operated yokes which can be used via the lighting pole for Panning and Tilting the lights as well as manually, since the mechanical activators are equipped with clutches.

CHARACTERISTICS & PERFORMANCE DATA

DESCRIPTION	VALUE	
➤ Amperage	Europe	America
	230 V 2,9 A (650W)	120 V 5,5 A (650 W)
➤ Power supply	Europe	America
	230 V / 0-60 Hz	120 V / 0-60 Hz
➤ Switch on line	M.O. & P.O.	
➤ Lamp Holder	Toggle : 16A\125V - 8A\250V	
➤ Power Cable	Europe	America
	3 x 1,5 mm ² – 150°C (0,5 m silicon 180 °C + 3m H07RN-F 90°C)	3 x 16 Awg (0,5 m high T 200°C + 3m SO 90°C + Plug
➤ Protection Class	Class 1– ground connection required	
➤ Protection Type	IP 22	
➤ Max. Housing Surface Temperature	220° C	
➤ Weight of Fixture	M.O.	P.O.
	2,4 kg.	4,7 kg.
➤ Weight of Barndoor	4 leaf	8 leaf
	0,3 kg.	0,4 kg.
➤ Size of Barndoor ring	Diameter 133 mm	
➤ Weight of color frame	0,25 kg.	
➤ Size of scrims & color frame	Diameter	
	129 mm.	
➤ Lens diameter	120 mm.	



USABLE LAMPS

base-watt-filament	230 v		120 v	
	ANSI	LIF	ANSI	LIF
GY 9,5 – 300 w – M Sh	FSL	CP 81	FKW	CP 81
GY 9,5 – 500 w – MP	FRH	CP 82	FRG	CP 82
GY 9,5 – 650 w – MP	FRL	CP 89	FRK	CP 89

WORKING CONDITIONS

➤ Working Position	Lighting fixture: Max. Tilting $\pm 90^\circ$ from horizontal			Lamp: S90
➤ Ambient Temperature, t_a	+45° C Max			
➤ Minimum distances from inflammable surfaces	Top 0,3 m.	Back 0,1 m.	Sides 0,1 m.	Front 1 m.

PHOTOMETRIC DATA

PHOTOMETRIC DATA MAGIS (300 W LAMP)

Values measured with: CP 81 Lamp - 200 V, 120 mm, F.Fresnel Lens

		FEET				METERS			
TYPICAL DISTANCES		10'	20'	30'	40'	3,0	6,0	9,0	12,0
LIGHT CENTER VALUES	Candle Power	Footcandles				Lux			
SPOT	27.000	270	68	30	17	3.000	750	333	188
FLOOD	3.250	33	8	4	2	361	90	40	23
BEAM ANGLE (50% of center value)		F.C. AT ANY DISTANCE = Candle Power : (distance in ft) ²				LUX. AT ANY DISTANCE = Candle Power : (distance in ft) ²			
		BEAM DIAMETER (W x H in feet)				BEAM DIAMETER (W x H in meters)			
SPOT	7,2°	1.3'	2.5'	3.8'	5.0'	0,4 mt	0,8 mt	1,1 mt	1,5 mt
FLOOD	51,5°	9.6'	19.3'	28.9'	38.6'	2,9 mt	5,8 mt	8,7 mt	11,6 mt
FIELD ANGLE (10% of center value)		BEAM DIAMETER (W x H in feet)				BEAM DIAMETER (W x H in meters)			
SPOT	15,5°	2.7'	5.4'	8.2'	10.9'	0,8 mt	1,6 mt	2,4 mt	3,3 mt
FLOOD	64,5°	12.6'	25.2'	37.9'	50.5'	3,8 mt	7,6 mt	11,4 mt	15,1 mt

PHOTOMETRIC DATA MAGIS (500 W LAMP)

Values measured with: CP 82 Lamp – 220 V, 120 mm. F Fresnel Lens

		FEET				METERS			
TYPICAL DISTANCES		10'	20'	30'	40'	3,0	6,0	9,0	12,0
LIGHT CENTER VALUES	Candle Power	Footcandles				Lux			
SPOT	42.030	420	105	47	26	4.670	1.168	519	292
FLOOD	3.250	59	15	7	4	650	163	72	41
BEAM ANGLE (50% of center value)		F.C. AT ANY DISTANCE = Candle Power : (distance in ft) ²				LUX. AT ANY DISTANCE = Candle Power : (distance in ft) ²			
		BEAM DIAMETER (W x H in feet)				BEAM DIAMETER (W x H in meters)			
SPOT	7,2°	1.4'	2.8'	4.2'	5.6'	0,4 mt	0,8 mt	1,3 mt	1,7 mt
FLOOD	51,5°	9.9'	19.8'	29.7'	39.6'	3,0 mt	5,9 mt	8,9 mt	11,9 mt
FIELD ANGLE (10% of center value)		BEAM DIAMETER (W x H in feet)				BEAM DIAMETER (W x H in meters)			
SPOT	15,5°	3.0'	5.9'	8.9'	11.9'	0,9 mt	1,8 mt	2,7 mt	3,6 mt
FLOOD	64,5°	11.9'	23.8'	35.8'	47.7'	3,6 mt	7,2 mt	10,7 mt	14,3 mt

Values measured with: CP 89 Lamp – 220 V, 120 mm. F Fresnel Lens									
		FEET				METERS			
TYPICAL DISTANCES		10'	20'	30'	40'	3,0	6,0	9,0	12,0
LIGHT CENTER VALUES	Candle Power	Footcandles				Lux			
SPOT	77.994	780	195	87	49	4.670	1.168	519	292
FLOOD	11.250	113	28	13	7	650	163	72	41
BEAM ANGLE (50% of center value)		F.C. AT ANY DISTANCE = Candle Power : (distance in ft) ²				LUX. AT ANY DISTANCE = Candle Power : (distance in ft) ²			
		BEAM DIAMETER (W x H in feet)				BEAM DIAMETER (W x H in meters)			
SPOT	7,2°	1.4'	2.8'	4.2'	5.6'	0,4 mt	0,8 mt	1,3 mt	1,7 mt
FLOOD	51,5°	8.7'	17.4'	26.2'	34.9'	2,6 mt	5,2 mt	7,8 mt	10,5 mt
FIELD ANGLE (10% of center value)		BEAM DIAMETER (W x H in feet)				BEAM DIAMETER (W x H in meters)			
SPOT	15,5°	2.8'	5.7'	8.5'	11.3'	0,8 mt	1,7 mt	2,5 mt	3,4 mt
FLOOD	64,5°	11.4'	22.8'	34.2'	45.6'	3,4 mt	6,8 mt	10,3 mt	13,7 mt

VERSIONS & MODEL NUMBERS

- 300.600** Kit includes: 3 x Magis 300/500/650 W M.O. (300.100), 3 x barndoor (306.100), 3 x colour frame (307.100), 3 x set of scrims (309.100), 3 x stand (A620B), fly case (300.601), without lamps.
- 300.150** **MAGIS 300/500/650 W M.O.** Stainless Steel Fresnel Spotlight including: 120 mm. lens, 3 mt. power cable, 10 A inline toggle switch, GY9,5 lamp holder, wire guard (305.300), manual operated stirrup with 16 mm. Socket (300.100.40), four leaf rotating barndoor (306.100), colour frame (307.100).
- 301.150** **MAGIS 300/500/650 W P.O.** Stainless Steel Fresnel Spotlight including: 120 mm. lens, 3 mt. power cable, 10 A inline toggle switch, GY9,5 lamp holder, wire guard (305.300), pole operated stirrup with 28mm. spigot (301.110.40), four leaf rotating barndoor (306.100), colour frame (307.100)

ACCESSORIES TYPES & MODELS NUMBERS

- 300.100.40 Flat aluminium (M.O.) stirrup with 16 mm. Socket (5/8")
- 300.200.40 Flat aluminum (M.O.) stirrup with 8,5 mm. Hole
- 301.110.40 Pole operated stirrup with 28,57 mm. spigot (B.S. 1 1/8"), with top end for attachment to "C" clamp.
- 301.300.40 Pole operated stirrup with 28,00 mm. spigot (D.I.N.)
- 300.601 Fly case in black and yellow, antiscratch finished, laminated wood and aluminium profiles.
Heavy duty cam-lock and hinges for: Magis kit 300.600-DLK 380-DLK3100.
- 305.300 Stainless Steel wire guard
- 306.100 Four leaf rotating barndoor
- 306.200 Eight way rotating barndoor

307.100	Colour Frame
308.100	Cone with two discs (with front aperture diameter: 70 mm. 50 mm. 30 mm.)
309.100	Set of scrims - Stainless steel
309.101	Full single scrim - Stainless steel
309.102	Full double scrim - Stainless steel
309.103	1/2 single scrim - Stainless steel
309.104	1/2 double scrim - Stainless steel
DGP-A620 B	Alu Black Kit stand, 16 mm spigot (B.S. 5/8" spigot)

